



Outperform every day.™

Project:
Item Number:
Quantity:

Affordable Portable™ Non-Refrigerated Cold Food Stations

The Vollrath Company, L.L.C.

AFFORDABLE PORTABLE™ NON-REFRIGERATED COLD FOOD STATIONS



Stations with electrical components are UL listed.

Affordable Portable™ Cold Food Station Shown with NSF2 Buffet Breath Guard

DESCRIPTION & FEATURES

- Constructed of vinyl-clad, 20-gauge carbon steel.
- Foamed-in-place polyurethane foam insulation.
- 1 (2.54 cm) drain makes clean-up easy.
- NSF2 buffet or NSF2 cafeteria style acrylic breath guard.
- Available in seven versatile colors.
- Seamless one-piece 20 gauge 300 series stainless steel work surface.
- Locking casters.
- **Affordable Portable™ orders cannot be canceled or returned.**

Lighting Option

- Factory-installed option
- Requires Buffet breath guard
- 120V
- Bulbs not included

WARRANTY

All models shown come with Vollrath's standard warranty against defects in materials and workmanship. For full warranty details, please refer to www.Vollrath.com.

ITEMS

Description	Black	Walnut Woodgrain	Cherry Woodgrain	Granite	White	American Natural	Brushed Aluminum
3 Pan (46") NSF2 Buffet Breath Guard Cold Food Station – 120V							
Solid Base	38713	38950	38773	38733	38733W	38733N	38733A
Solid Base w/ Lights	3871346	3895046	3877346	3873346	3873346W	3873346N	3873346A
Open Storage Base	38714	38951	38774	38734	38734W	38734N	38734A
Open Storage w/ Lights	3871446	3895146	3877446	3873446	3873446W	3873446N	3873446A
Storage Base w/ Door	38715	38952	38775	38735	38735W	38735N	38735A
Storage w/ Door, w/ Lights	3871546	3895246	3877546	3873546	3873546W	3873546N	3873546A
3 Pan (46") NSF2 Cafeteria Breath Guard Cold Food Station – 120V							
Solid Base	39713	39950	39773	39733	39733W	39733N	39733A
Open Storage Base	39714	39951	39774	39734	39734W	39734N	39734A
Storage Base w/ Door	39715	39952	39775	39735	39735W	39735N	39735A
4 Pan (60") NSF2 Buffet Breath Guard Cold Food Station – 120V							
Solid Base	38716	38960	38776	38736	38736W	38736N	38736A
Solid Base w/ Lights	3871660	3896060	3877660	3873660	3873660W	3873660N	3873660A
Open Storage Base	38717	38961	38777	38737	38737W	38737N	38737A
Open Storage w/ Lights	3871760	3896160	3877760	3873760	3873760W	3873760N	3873760A
Storage Base w/ Door	38718	38962	38778	38738	38738W	38738N	38738A
Storage w/ Door, w/ Lights	3871860	3896260	3877860	3873860	3873860W	3873860N	3873860A
4 Pan (60") NSF2 Cafeteria Breath Guard Cold Food Station – 120V							
Solid Base	39716	39959	39776	39736	39736W	39736N	39736A
Open Storage Base	39717	39961	39777	39737	39737W	39737N	39737A
Storage Base w/ Door	39718	39962	39778	39738	39738W	39738N	39738A

Approvals	Date

Due to continued product improvement, please consult www.vollrath.com for current product specifications.



Outperform every day.™

www.vollrath.com

The Vollrath Company, L.L.C.

1236 North 18th Street
Sheboygan, WI 53081-3201 U.S.A.
Main Tel: 800.624.2051 or 920.457.4851
Main Fax: 800.752.5620 or 920.459.6573
Customer Service: 800.628.0830
Canada Customer Service: 800.695.8560

Technical Services
techservicereps@vollrathco.com
Induction Products: 800.825.6036
Countertop Warming Products: 800.354.1970
All Other Products: 800.628.0832

AFFORDABLE PORTABLE™ NON-REFRIGERATED COLD FOOD STATIONS

ACCESSORIES AND ADD-ONS

Tray Slides

- 39924 Fits 24" (61 cm)
- 39946 Fits 46" (117 cm)
- 39960 Fits 60" (152 cm)



- 300 Series stainless steel
- Fold-down mounting brackets
- 11" (27.9) tray area
- 11½" (29.2) depth
- Adds 5½" (14 cm) to depth in folded position
- Add NF in front of the item number for non-folding mode

Cutting Boards

- 39824 Fits 24" (61 cm)
- 39846 Fits 46" (117 cm)
- 39860 Fits 60" (152 cm)



- Polyethylene
- Fold-down mounting brackets
- 7" (17.8 cm) depth
- Add 4" (10.2 cm) to depth in folded position

Infrared Lamp Bulbs

- 72242 White, 250W, 1 Dozen
- 72241 Red, 250W, 1 Dozen

Plate Rests

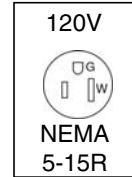
- 38992 Fits 24" (61 cm)
- 38993 Fits 46" (117 cm)
- 38994 Fits 60" (152 cm)



- Stainless steel
- Fold-down mounting brackets
- 7" (17.8 cm) depth
- Adds 4½" (11.4 cm) to depth in folded position
- Add NF in front of the item number for non-folding model

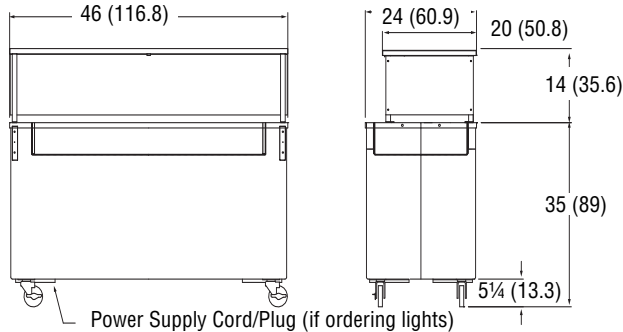
ELECTRICAL SPECIFICATIONS

Description	With Incandescent Lamps (250W maximum per fixture)				Plug
	HP	Volts	Hz	Electrical Service Amps	
3 Pan	1/5	120	60	15	NEMA 5-15P
4 Pan	1/4				
3 Pan with Lights	1/5				
4 Pan with Lights	1/4				

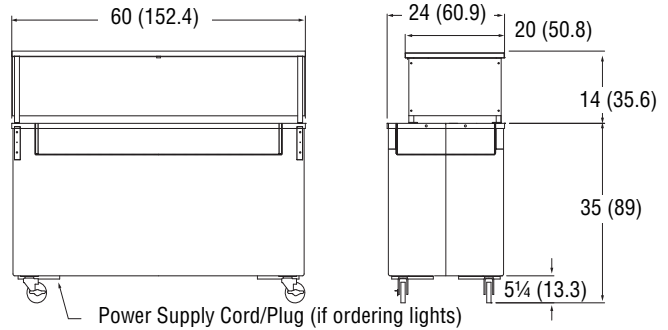


DIMENSIONS (Shown in inches (cm))

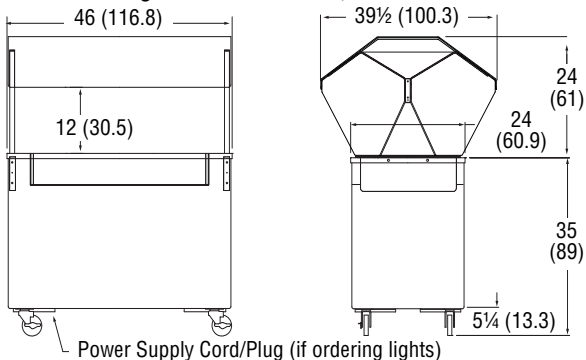
3 Pan Non-Refrigerated Cold Station, NSF2 Cafeteria Breath Guard



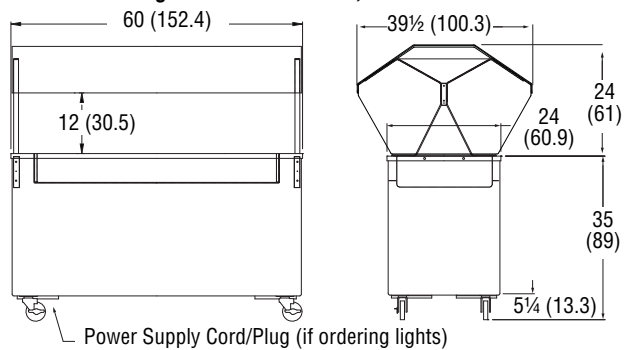
4 Pan Non-Refrigerated Cold Station, NSF2 Cafeteria Breath Guard



3 Pan Non-Refrigerated Cold Station, NSF2 Buffet Breath Guard



4 Pan Non-Refrigerated Cold Station, NSF2 Buffet Breath Guard



3 Well Storage Opening: 36 x 23 x 16½ (91.5 x 58 x 42)

4 Well Storage Opening: 50 x 23 x 16½ (127 x 58 x 42)



Outperform every day.™

www.vollrath.com

The Vollrath Company, L.L.C.

1236 North 18th Street
 Sheboygan, WI 53081-3201 U.S.A.
 Main Tel: 800.624.2051 or 920.457.4851
 Main Fax: 800.752.5620 or 920.459.6573
 Customer Service: 800.628.0830
 Canada Customer Service: 800.695.8560

Technical Services
techservicereps@vollrathco.com
 Induction Products: 800.825.6036
 Countertop Warming Products: 800.354.1970
 All Other Products: 800.628.0832