



Outperform every day.™

**Project:**  
**Item Number:**  
**Quantity:**

Affordable Portable™ Deluxe Hot Food Stations

The Vollrath Company, L.L.C.

## AFFORDABLE PORTABLE™ DELUXE HOT FOOD STATIONS



Affordable Portable™ Deluxe Hot Food Station Shown with NSF2 Buffet Breath Guard

### DESCRIPTION & FEATURES

- Constructed of vinyl-clad, 20-gauge carbon steel.
- 20 gauge 300 series stainless steel work surface.
- Thermoset wells with high-efficiency 480W in-water heating element.
- Available in seven versatile colors.
- Sealed well - no spillage pans required.
- Manifold drains.
- NSF2 buffet or NSF2 cafeteria style acrylic breath guard.
- Two locking casters.
- Dial controls.
- 8 ft. power cord.
- **Affordable Portable™ orders cannot be canceled or returned.**

### Lighting Option

- Factory-installed option
- Requires Buffet breath guard
- 120V
- Bulbs not included

### WARRANTY

All models shown come with Vollrath's standard warranty against defects in materials and workmanship. For full warranty details, please refer to [www.Vollrath.com](http://www.Vollrath.com).

### ITEMS

Description	Black	Walnut Woodgrain	Cherry Woodgrain	Granite	White	American Natural	Brushed Aluminum
<b>3 Well NSF2 Buffet Breath Guard Deluxe Hot Food Station – 120V</b>							
Solid Base <sup>①</sup>	T38707	T38935	T38767	T38727	T38727W	T38727N	T38727A
Solid Base w/ Lights <sup>②</sup>	T3870746	T3893546	T3876746	T3872746	T3872746W	T3872746N	T3872746A
Open Storage Base <sup>①</sup>	T38708	T38936	T38768	T38728	T38728W	T38728N	T38728A
Open Storage w/ Lights <sup>②</sup>	T3870846	T3893646	T3876846	T3872846	T3872846W	T3872846N	T3872846A
Storage Base w/ Door <sup>①</sup>	T38709	T38937	T38769	T38729	T38729W	T38729N	T38729A
Storage w/ Door, w/Lights <sup>②</sup>	T3870946	T3893746	T3876946	T3872946	T3872946W	T3872946N	T3872946A
<b>3 Well NSF2 Cafeteria Breath Guard Deluxe Hot Food Station – 120V</b>							
Solid Base <sup>①</sup>	T39707	T39935	T39767	T39727	T39727W	T39727N	T39727A
Open Storage Base <sup>①</sup>	T39708	T39936	T39768	T39728	T39728W	T39728N	T39728A
Storage Base w/ Door <sup>①</sup>	T39709	T39937	T39769	T39729	T39729W	T39729N	T39729A
<b>4 Well NSF2 Buffet Breath Guard Deluxe Hot Food Station – 120V</b>							
Solid Base <sup>①</sup>	T38710	T38945	T38770	T38730	T38730W	T38730N	T38730A
Solid Base w/ Lights <sup>②</sup>	T3871060	T3894560	T3877060	T3873060	T3873060W	T3873060N	T3873060A
Open Storage Base <sup>①</sup>	T38711	T38946	T38771	T38731	T38731W	T38731N	T38731A
Open Storage w/ Lights <sup>②</sup>	T3871160	T3894660	T3877160	T3873160	T3873160W	T3873160N	T3873160A
Storage Base w/ Door <sup>①</sup>	T38712	T38947	T38772	T38732	T38732W	T38732N	T38732A
Storage w/ Door, w/ Lights <sup>②</sup>	T3871260	T3894760	T3877260	T3873260	T3873260W	T3873260N	T3873260A
<b>4 Well NSF2 Cafeteria Breath Guard Deluxe Hot Food Station – 120V</b>							
Solid Base <sup>①</sup>	T39710	T39945	T39770	T39730	T39730W	T39730N	T39730A
Open Storage Base <sup>①</sup>	T39711	T39946	T39771	T39731	T39731W	T39731N	T39731A
Storage Base w/ Door <sup>①</sup>	T39712	T39947	T39772	T39732	T39732W	T39732N	T39732A

① For 208-240V without lights, add 2 to the item number.

② For 120/208 and 120/240V with lights, add 4 to the item number.

Due to continued product improvement, please consult [www.vollrath.com](http://www.vollrath.com) for current product specifications.

Approvals

Date

--	--



Outperform every day.™

[www.vollrath.com](http://www.vollrath.com)

### The Vollrath Company, L.L.C.

1236 North 18th Street  
Sheboygan, WI 53081-3201 U.S.A.  
Main Tel: 800.624.2051 or 920.457.4851  
Main Fax: 800.752.5620 or 920.459.6573  
Customer Service: 800.628.0830  
Canada Customer Service: 800.695.8560

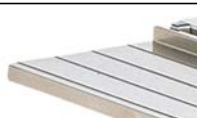
Technical Services  
[techservicereps@vollrathco.com](mailto:techservicereps@vollrathco.com)  
Induction Products: 800.825.6036  
Countertop Warming Products: 800.354.1970  
All Other Products: 800.628.0832

# AFFORDABLE PORTABLE™ DELUXE HOT FOOD STATIONS

## ACCESSORIES AND ADD-ONS

### Tray Slides

- 39924 Fits 24" (61 cm)
  - 39946 Fits 46" (117 cm)
  - 39960 Fits 60" (152 cm)
- 300 Series stainless steel
  - Fold-down mounting brackets
  - 11" (27.9) tray area
  - 11½" (29.2) depth
  - Adds 5½" (14 cm) to depth in folded position
  - Add NF in front of the item number for non-folding mode



### Cutting Boards

- 39824 Fits 24" (61 cm)
  - 39846 Fits 46" (117 cm)
  - 39860 Fits 60" (152 cm)
- Polyethylene
  - Fold-down mounting brackets
  - 7" (17.8 cm) depth
  - Add 4" (10.2 cm) to depth in folded position



### Plate Rests

- 38992 Fits 24" (61 cm)
  - 38993 Fits 46" (117 cm)
  - 38994 Fits 60" (152 cm)
- Stainless steel
  - Fold-down mounting brackets
  - 7" (17.8 cm) depth
  - Adds 4½" (11.4 cm) to depth in folded position
  - Add NF in front of the item number for non-folding model



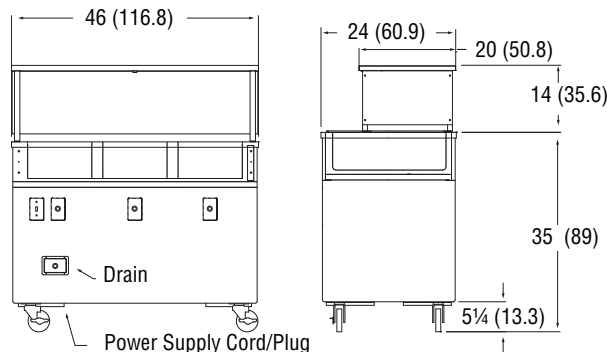
## ELECTRICAL SPECIFICATIONS

Description	Volts	Hz	Amps	Watts per Well	Electrical Service Amps	NEMA Plug
3 Well	120	60	12	480	15	5-15P
4 Well			16		20	5-20P
3 Well	208-240		8.7-10	600-800	15	6-15P
4 Well			11.5-13.3		20	6-20P
3 Well with Lights*	120		18.3	480	30	5-30P
4 Well with Lights*			24.3		50	5-50P
3 Well with Lights*	120/208-240		12.9-14.2	600-800	20	14-20P
4 Well with Lights*			15-16.3		30	14-30P

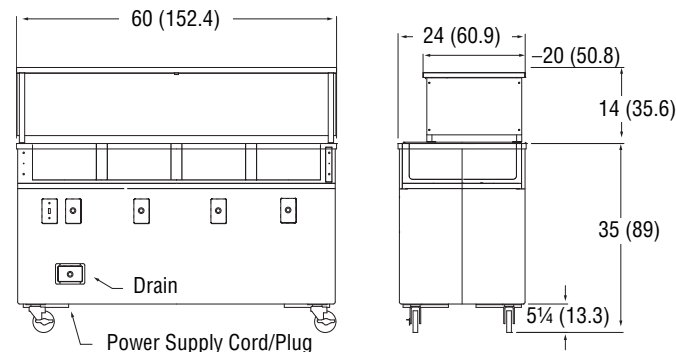
\* Incandescent lamps (250W maximum per fixture)

## DIMENSIONS (Shown in inches (cm))

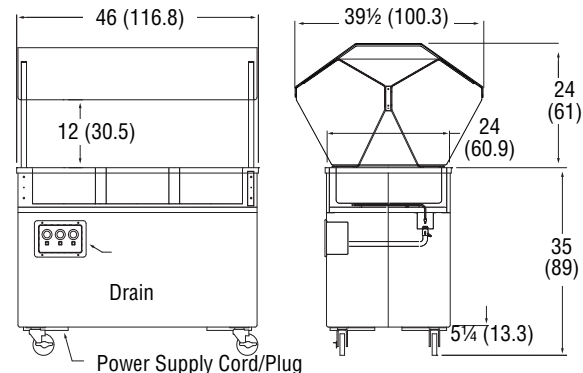
### 3 Well Deluxe Hot Food Station with NSF2 Cafeteria Breath Guard



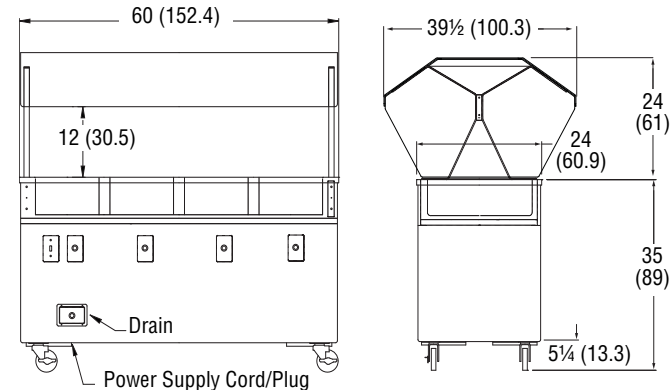
### 4 Well Deluxe Hot Food Station with NSF2 Cafeteria Breath Guard



### 3 Well Deluxe Hot Food Station with NSF2 Buffet Breath Guard



### 4 Well Deluxe Hot Food Station with NSF2 Buffet Breath Guard



**3 Well Storage Opening:** 24 x 23 x 16½ (61 x 58 x 42)

**4 Well Storage Opening:** 36 x 23 x 16½ (91.52/7/17 x 58 x 42)



Outperform every day.™

[www.vollrath.com](http://www.vollrath.com)

### The Vollrath Company, L.L.C.

1236 North 18th Street  
 Sheboygan, WI 53081-3201 U.S.A.  
 Main Tel: 800.624.2051 or 920.457.4851  
 Main Fax: 800.752.5620 or 920.459.6573  
 Customer Service: 800.628.0830  
 Canada Customer Service: 800.695.8560

Technical Services  
[techservicereps@vollrathco.com](mailto:techservicereps@vollrathco.com)  
 Induction Products: 800.825.6036  
 Countertop Warming Products: 800.354.1970  
 All Other Products: 800.628.0832