



Equipment Stands

Stainless Steel Equipment Stands



Use your smart phone to scan the above QR code to visit our website:
www.bk-resources.com

Certifications:



Features:

- Top Reinforced with 1 1/2" Square Tubing
- 3 Sided 2" Riser w/ Hemmed Edge
- Adjustable Undershelf
- Work Surface Height 24"
- Evenly Distributed Static Load of 2,000 lbs.

Options:

- Casters
- Upgraded Bullet Feet
- Extra Shelves

Material:

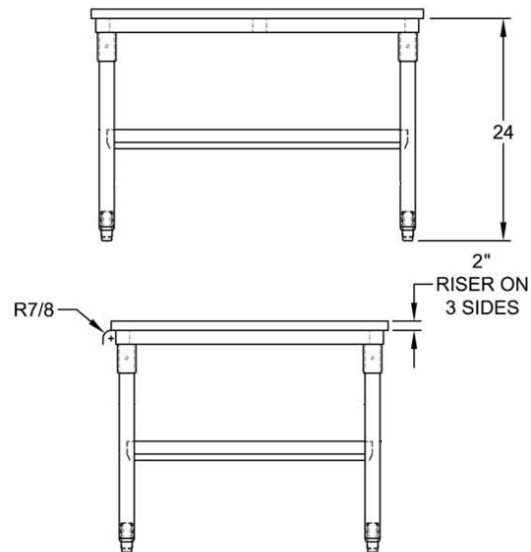
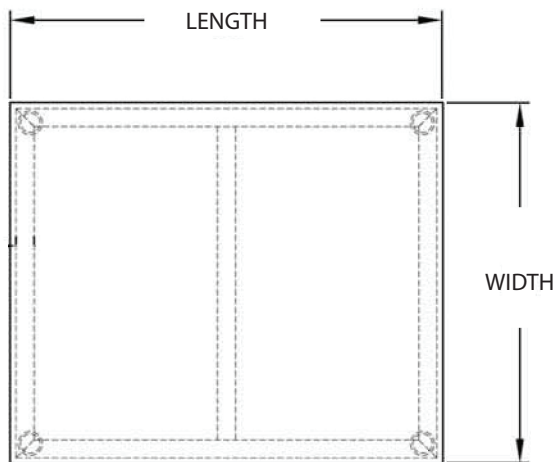
SVET Series: S/S w/ Stainless Steel Legs & Undershelf

- T-430 18 ga. Stainless Steel Top
- Stainless Steel Legs & Adjustable Undershelf with Cast Aluminum Corners
- Metal Over Plastic Bullet Feet

VETS Series: S/S w/ Galvanized Legs & Undershelf

- T-430 18 ga. Stainless Steel Top
- Galvanized Legs & Adjustable Undershelf with Cast Aluminum Corners
- Metal Over Plastic Bullet Feet

SVET Series		VETS Series
S/S w/ S/S Legs & Undershelf		S/S w/ Galv. Legs & Undershelf
Length	T-430 S/S 30" Width	T-430 S/S 30" Width
16"	SVET-1530	VETS-1530
19"	SVET-1830	VETS-1830
25"	SVET-2430	VETS-2430
37"	SVET-3630	VETS-3630
49"	SVET-4830	VETS-4830
61"	SVET-6030	VETS-6030
73"	SVET-7230	VETS-7230



PRODUCT DATA SHEET

BK RESOURCES

