



# Prep-Tables

## Stainless Steel Prep-Tables



Use your smart phone to scan the above QR code to visit our website:  
www.bk-resources.com

### Certifications:



### Features:

- 1" x 2" Hat Channel to Reinforce and Maintain Level Working Surface
- Bowl Size: 16" x 20" x 10"(d)
- 4" C/C Deck Mount Faucet Installation
- Legs 1 5/8" Diameter
- 6" Riser

### Options:

- Drawer Assemblies
- Upgraded Bullet Feet
- Extra Shelves
- Faucet & Lever Drains

### Material:

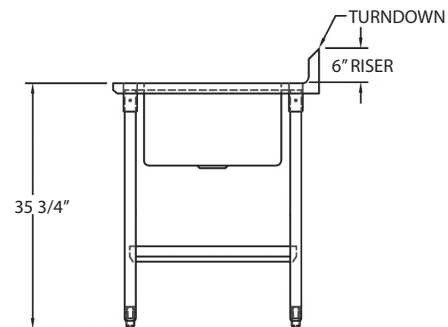
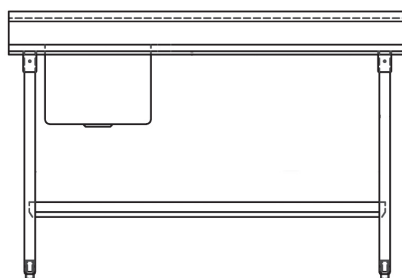
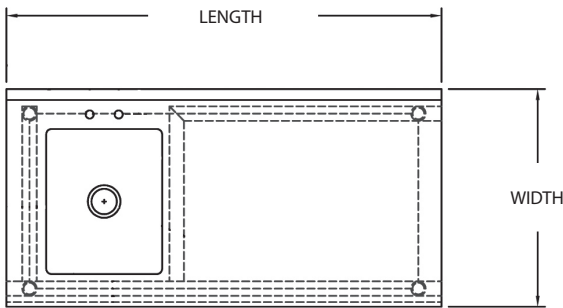
#### S Series: S/S w/ Stainless Steel Legs & Undershelf

- T-304 18 ga. Stainless Steel Top & Bowl
- Stainless Steel Legs & Adjustable Undershelf with Cast Aluminum Corners
- S/S Bullet Feet

#### G Series: S/S w/ Galvanized Legs & Undershelf

- T-304 18 ga. Stainless Steel Top
- Galvanized Legs & Adjustable Undershelf with Cast Aluminum Corners
- Metal Over Plastic Bullet Feet

S Series		G Series		Sink Side
S/S w/ S/S Legs & Undershelf		S/S w/ Galv. Legs & Undershelf		
Length	T-304 S/S 30" Width	T-304 S/S 30" Width		
60"	BKPT-3060S-L	BKPT-3060G-L		Left
60"	BKPT-3060S-R	BKPT-3060G-R		Right
72"	BKPT-3072S-L	BKPT-3072G-L		Left
72"	BKPT-3072S-R	BKPT-3072G-R		Right



PRODUCT DATA SHEET

BK RESOURCES

