



Filler Tables

Stainless Steel Filler Tables



Use your smart phone to scan the above QR code to visit our website:
www.bk-resources.com

Certifications:



Features:

- Galvanized 1 5/8" Legs
- 1 1/2" Riser

Options:

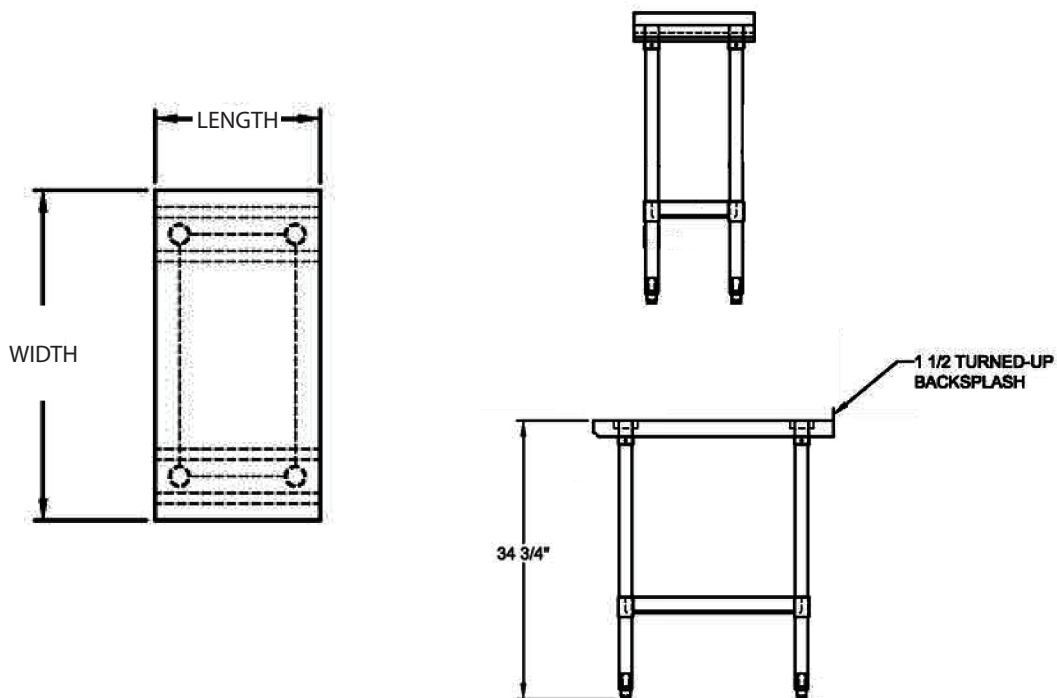
- Casters
- Upgraded Bullet Feet
- Extra Shelves

Material:

S/S w/ Galvanized Legs & Undershelf

- T-430 18 ga. Stainless Steel Top
- Galvanized Legs & Adjustable Undershelf
- Adjustable High Impact Corrosion Resistant Feet

Length	T-430 S/S 24" Width	T-430 S/S 30" Width
15"	VFTS-1524	VFTS-1530
18"	VFTS-1824	VFTS-1830
24"	-	VFTS-2430



PRODUCT DATA SHEET

BK RESOURCES

