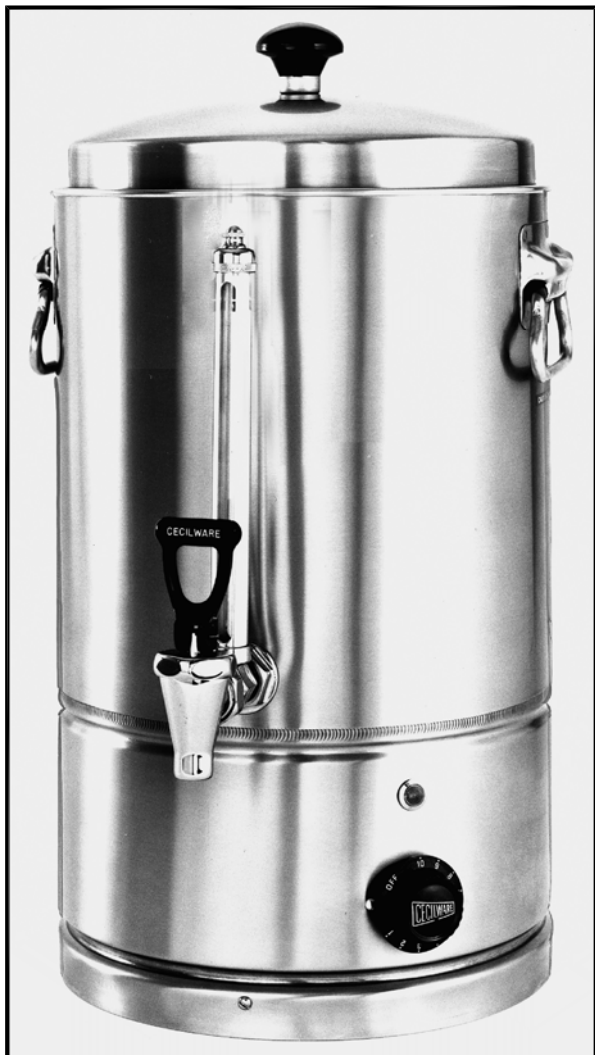


Portable Hot Water Boilers

CS113 CS115



SPECIAL FEATURES:

! PORTABLE, EASILY MOVED TO ANY CONVENIENT LOCATION.

! PRECISION THERMOSTAT FOR ACCURATE TEMPERATURE CONTROL.

! SIGHT GLASS INDICATES WATER LEVEL.

Cecilware sells value... Worldwide

Cecilware Corporation

43-05 20th Avenue, Long Island City, NY 11105

Tel: 718-932-1414

Fax: 718-932-7860

800-935-2211

E-Mail: customer.service@cecilware.com

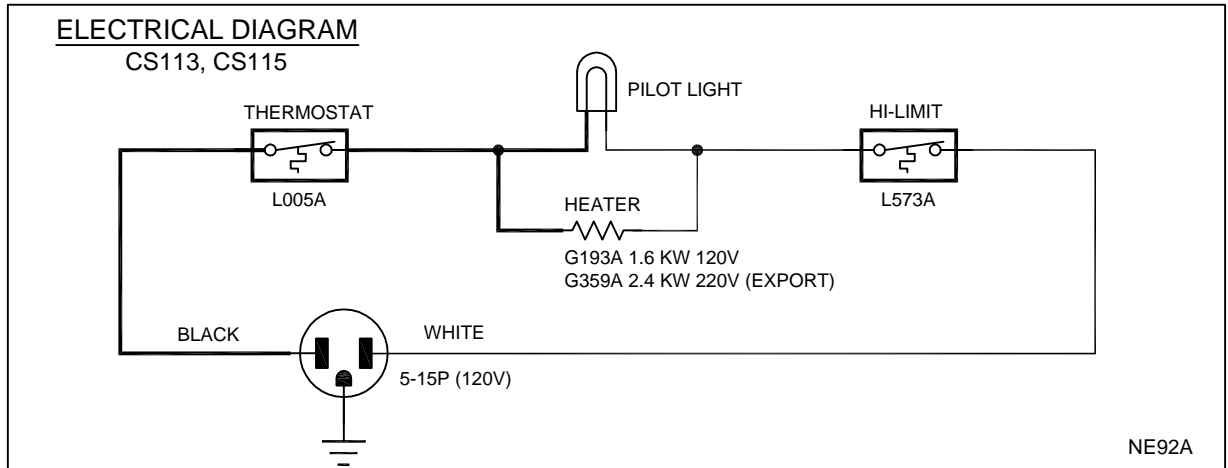
Website: www.cecilware.com



Portable Hot Water Boilers CS113 CS115

Electrical Specifications:

1.6KW 120Volts or 2.4KW 220V (export)



Size Specifications :

MODEL NO	CAPACITY	DIAMETER	HEIGHT	WEIGHT
CS113	3 Gals	11 in.	21 ½ in.	15 lbs.
CS115	5 Gals	11 in.	27 ½ in.	18 lbs.

Line Cord is included

CAUTION: Do not run the unit dry (without water)

Turn thermostat knob all the way counterclockwise to OFF position.

Fill with fresh water, plug into electric outlet, then turn thermostat knob clockwise to the desired temperature (between 5 and 8).

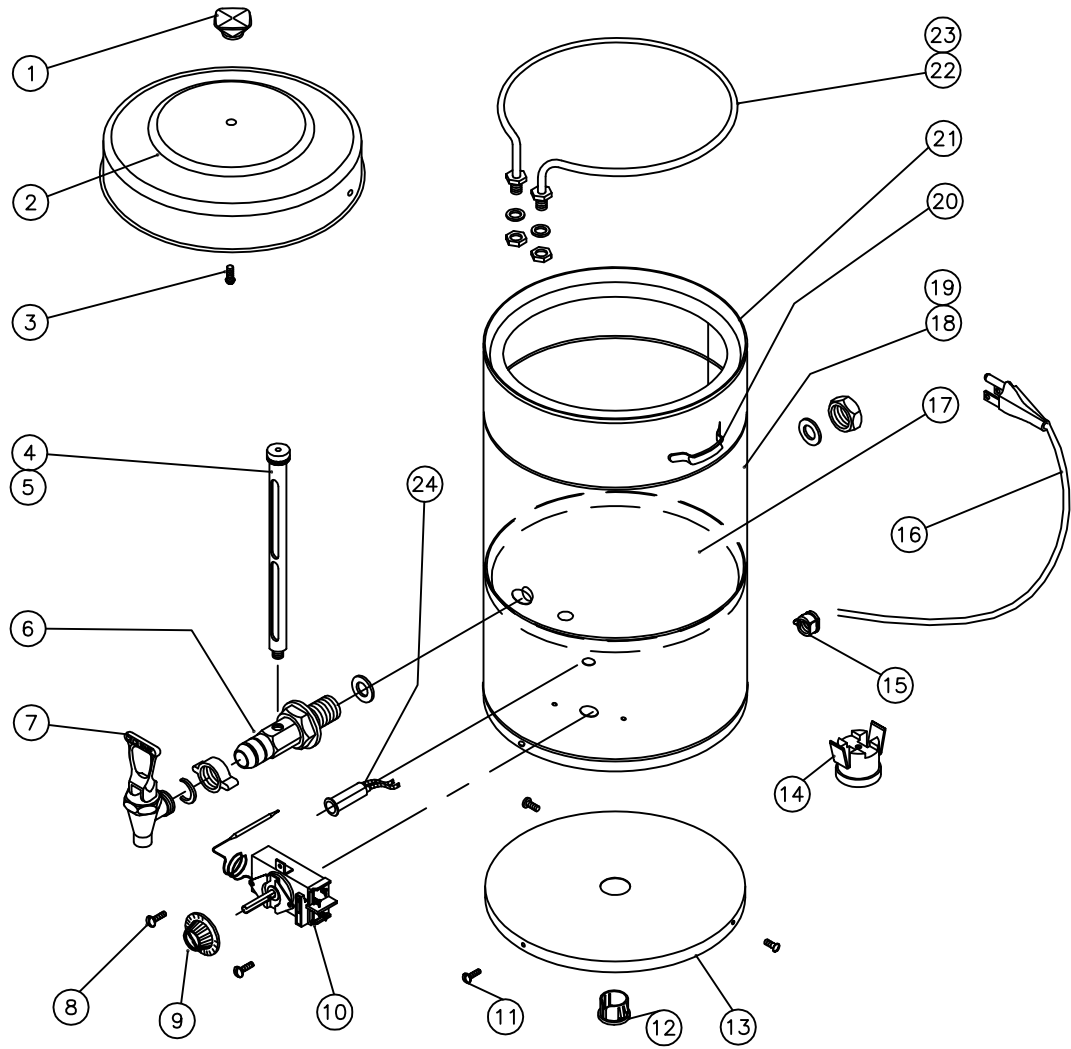
Hot Water Boilers:

Fill with fresh water, plug into electric outlet, then turn thermostat knob clockwise to the desired temperature (between 5 and 8).

Cleaning Instructions:

1. Wipe exterior with a soft, damp cloth.
2. Clean urn inside with mild soap and water. Rinse thoroughly.

PARTS LIST CS113 CS115



PARTS LIST

ITEM	DESCRIPTION	PART NO		
1	URN COVER KNOB	M027A		
2	COVER, URN	Q004A		
3	SCREW, PAN HD PHIL S.S. 10-24x1/2	P264A	14	HI-LIMIT L573A
4	GAUGE GLASS SHIELD 8" (CS113)	D023A	15	STRAIN RELIEF B012A
5	GAUGE GLASS SHIELD 10 3/4" (CS115)	D020A	16	LINE CORD C032A
6	GAUGE SHANK	D021A	17	BOTTOM, WATER COMPARTMENT Q187A
7	FAUCET	D064A	18	URN BODY (CS113) R045A
8	SCREW, THERMOSTAT	P018A	19	URN BODY (CS115) R046A
9	THERMOSTAT KNOB	M008A	20	HANDLE M007A
10	THERMOSTAT	L005A	21	PLUG IN COLLAR Q012A
11	SCREW, 8-32 x 3/8 SELF TAP	P140A	22	HEATER ELEMENT 120 V G193A
12	HOLE PLUG (1.250 DIA)	P300A	23	HEATER ELEMENT 220 V G359A
13	BOTTOM COVER	Q186A	24	PILOT LIGHT C002A